



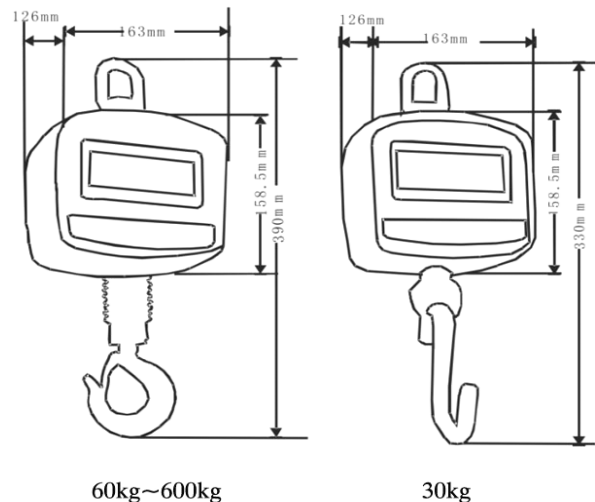
TECHNICAL DATA

- ◆ Max External resolution... 1/6,000
- ◆ Display.....25mm LCD
- ◆ Keyboard.....6 keys mechanical switch
- ◆ Operate temp.....0°C ~ +40°C
- ◆ ADC.....sigma delta
- ◆ ADC update.....≤ 1/10 second
- ◆ Power.....AC adapter (9V/800mA)
Rechargeable batteries (6V/1.2Ah)
- ◆ Remote controller

FEATURES

- ◆ Easy to use - front panel configuration
- ◆ 25mm LCD display, attached backlight
- ◆ Reading lock, units conversion, Tare
- ◆ Remote controller
- ◆ Battery provide up to 40 hours of continuous use

DIMENSIONS (mm)



SPECIFICATIONS

MODEL	DR		
Display	25mm LCD display, attached backlight		
Capacity		300kg x 50 g	600kg x 100 g
Max. Divisions	6,000d		
Keypad	5 keys		
Hook	Big hook		
Power	AC adapter (9V/800mA) rechargeable batteries (6V/1.2Ah)		
Gross weight	2kg		